



PRESENTED BY



Press, Radio and Television FACT PACK

(Information current as of 12 March 2014)

Schedule:

- Saturday March 15 Session I: 11 a.m.-3 p.m. Pool A matches
- Saturday March 15 Session II: 5 p.m.-9 p.m. Pool B matches
(Opening Ceremonies will be held at 5 p.m.)

- Sunday March 16 Session III: 11 a.m.-3 p.m. Classification matches
- Sunday March 16 Session IV: 5 p.m.-7 p.m. Championship matches

All matches held at The Forum, *presented by Chase*, Inglewood, California





FREESTYLE WRESTLING
WORLD CUP
LOS ANGELES | CA
★ 15/16 MARCH 2014 ★

PRESENTED BY



At A Glance

The 42nd FILA Freestyle World Cup will be held in Los Angeles on March 15-16, 2014 at The Forum, presented by Chase, in Inglewood, California:

Format: The World Cup field includes 10 nations, which will be split into two pools of five. Each team will compete, in eight weight classes, against the other four teams in its pool.

The winning teams of each pool will compete for first place; second place teams in each pool will compete for third place; third place teams in each pool will compete for fifth place; fourth place teams in each pool will compete for seventh place and fifth place teams in each pool will compete for ninth place.

Teams: Nations were invited based upon final team standings at the 2013 World Championships:

Pool A: Armenia, India, Iran, Turkey, United States.

Pool B: Georgia, Japan, Mongolia, Russia, Ukraine.

Venue: The World Cup is the first sporting event to be held in the newly-renovated Forum, one of the world's great arenas. Site of the 1984 Olympic basketball competition, it re-opened on January 15, 2014 after its purchase and renovation by Madison Square Garden Company. Originally opened December 30, 1967 as the home for the Los Angeles Kings of the National Hockey League and Los Angeles Lakers of the National Basketball Association, it has a capacity of 18,000+ for concerts, but will seat approximately 8,500 for the World Cup.

Organization: The local organizing committee has been structured, benefitting from the talent and membership of Beat the Streets Los Angeles, California USA Wrestling, the Titan Mercury Wrestling Club, the Semnani Family Foundation and other Los Angeles-based sports organizations.

The Honorary Chair of the 2014 FILA Freestyle World Cup is actor and producer Billy Baldwin, himself a varsity wrestler at Binghamton (N.Y.) University.

Technical preparations are under the direction of USA Wrestling, the national governing body for wrestling in the United States, headquartered in Colorado Springs, Colorado.

Public information: www.WrestlingWorldCup.com



FREESTYLE WRESTLING
WORLD CUP
LOS ANGELES | CA
★ 15/16 MARCH 2014 ★



Press, Radio and Television
FACT PACK

Table of Contents

At a Glance	2
Media Services at the 2014 FILA Men's Freestyle World Cup	5
1. About the World Cup	7
1.01 About the FILA Men's Freestyle World Cup	7
1.02 FILA Men's Freestyle World Cup Technical Summary	7
1.03 Selection of Los Angeles as host site	9
1.04 World Cup Honorary Chair Billy Baldwin	9
1.05 Venue: The Forum	9
1.06 Television	9
1.07 World Cup Sponsors	10
1.08 Fédération Internationale des Lutttes Associées (FILA)	10
1.09 USA Wrestling	11
2. Event pairings and match schedules	13
3. Match-ups	14
3.01 57 kg and 61 kg	14
3.02 65 kg and 70 kg	16
3.03 74 kg and 86 kg	17
3.04 97 kg and 125 kg	19
4. Team Resumes	21
4.01 Team participation and placement summary	21
4.02 Armenia	21
4.03 Georgia	22
4.04 India	22
4.05 Iran	23
4.06 Japan	24
4.07 Mongolia	24
4.08 Russia	25

2014 FILA Freestyle World Cup
Press–Radio–Television FACT PACK, page 4

4.09	Turkey	26
4.10	Ukraine	26
4.11	United States	27
5.	World Cup History	29
5.01	Year-by-year	29
5.02	Other FILA World Cups	30
5.03	FILA World Championships	31
6.	FILA 2014 Major Events Schedule	32

This media Fact Pack contains information current to March 11, 2014. It was compiled by Rich Perelman, FILA Men’s Freestyle World Cup press steward and produced in support of the 2014 FILA Men’s Freestyle World Cup, hosted by USA Wrestling. For additional information, please contact:

GARY ABBOTT
USA Wrestling Director of Communications
Mobile Telephone: (719) 659-9637
gabbott@usawrestling.org

BOB CONDRON
FILA Press Officer
Mobile Telephone: (719) 332-7245
condron@fila-wrestling.com

Media Services at the 2014 FILA Men's Freestyle World Cup

Support services for news media covering the World Cup will be arranged at the competition venue, The Forum, in Inglewood, California. Please note that special parking privileges are not available and that the standard parking fee in The Forum lot is \$25 U.S. per day.

Competition seats:

Journalists will be accommodated on the floor level, close to the mats on raised platforms with a total of 45 seats available. Electrical power and password-protected Wi-Fi services will be available.

Photographers will have reserved shooting positions at both end of the mat, with a total of 30 seats. Elevated positions will also be available upon request.

Interviews and Mixed Zone:

A mixed zone area has been arranged along 20 m (65 feet) of the hallway leading from the competition area to the team dressing areas. For athletes of heavy interest, formal interviews may be held in the Media Workroom.

Media Workroom:

A workroom with 36 seats for journalists and 12 places for photographers is available in the Crew Catering Room (no. 1216) on the floor level. A formal interview set-up will be arranged at the front of the room and electrical power and Wi-Fi service will be available in this room. Refreshments will be served both days.

Results:

Summary results of all matches will be available in the media workroom.

Television Restrictions:

The follow restrictions on videography of the World Cup will be in effect:

The World Cup is a property of FILA, the international wrestling federation. USA Wrestling has been selected to serve as the host for the World Cup.

The host broadcaster for the World Cup is Universal Sports Network (USN), which reserves the rights to the event for the United States. IRIB, the national television network from Iran, has reserved the rights to broadcast the Iranian matches. These are the only two networks which have secured the rights to broadcast full matches from the World Cup on their networks.

For all other television networks who are accredited for the World Cup, below are the usage rules for footage from this event.

- (1) Accredited journalists may use up to two minutes of action footage from each dual meet for highlight coverage of the pool competition matches at the World Cup, as well as the fifth-place, seventh-place and ninth-place matches at the World Cup.*
- (2) No television footage may be shot of the wrestling action from the first-place and third place dual matches except by the rights-holders mentioned above (USN, IRIB).*
- (3) Media may shoot as much video of the crowd and the arena as they require.*

2014 FILA Freestyle World Cup
Press–Radio–Television FACT PACK, page 6

- (4) *Media may shoot as much interview video of the athletes, coaches and event participants as they require.*

In addition, the only organizations who have the rights to stream live action video online from the World Cup are FILA and USA Wrestling.

All media recording video and receiving accreditation for the World Cup, agree to these broadcast restrictions and sign an agreement to that effect. Violations will be grounds for revocation of credentials and other remedies available at law. Thank you in advance for your cooperation.

2014 FILA Freestyle World Cup

Press–Radio–Television FACT PACK, page 7

1.

About the Freestyle World Cup

1.01 ABOUT THE FILA MEN’S FREESTYLE WORLD CUP

Although world championships for individuals date back to 1904, a team vs. team world championship was not held until the first FILA Men’s Freestyle World Cup in 1973.

Held in Toledo (Ohio), USA, four teams – Canada, Japan, the United States and the U.S.S.R. – competed in a dual-meet format, matching team against team. The Soviets won the inaugural event over the U.S., and won the first seven World Cups in a row.

The event was held in Toledo for 13 of its first 14 editions, and 17 of the first 19, before moving around the globe. Through the first 41 editions from 1973-2013, nine nations have hosted the annual event at least once: Azerbaijan (2), Canada (1), Iran (4), Mongolia (1), Russia (5), Spain (1), the U.S. (26) and Uzbekistan (1).

Although only four teams participated in the first World Cup, the event was expanded to occasionally include five teams starting in 1979, sometimes to six teams beginning in 1984 and permanently expanded to eight teams in 2009 and 10 teams in 2011. Participating teams are now selected by their finish in the previous year’s Freestyle World Championships. In 2013, the top ten teams at the World Championships in Budapest, Hungary included 1. Iran, 46 points; 2. Russia, 44; 3. Georgia, 29; 4. Ukraine, 27; 5. United States, 25; 6. India, 23; 7. Cuba, 19; 8. Mongolia, 19; 9. Armenia, 18; 10. Turkey, 18.

The success of the Men’s Freestyle World Cup has led to the introduction of parallel events for Men’s Greco-Roman wrestling beginning in 1980 and Women’s Freestyle, beginning in 2001.

1.02 FILA MEN’S FREESTYLE WORLD CUP TECHNICAL SUMMARY

The FILA Men’s Freestyle World Cup features a dual-meet format, in which two teams face off in individual bouts over eight weight classes:

57 kg	(125 lbs.)	65 kg	(143 lbs.)	74 kg	(163 lbs.)	97 kg	(213 lbs.)
61 kg	(134 lbs.)	70 kg	(154 lbs.)	86 kg	(189 lbs.)	125 kg	(275 lbs.)

(Please note that the number of weight classes in the World Cup are greater than in the Olympic Games, as FILA – like all international federations – are limited in the number of contestants in their sport. Olympic men’s freestyle competition includes seven classes: 55 kg [121 lbs.], 60 kg [132], 66 kg [145½], 74 kg [163], 84 kg [185], 96 kg [211½] and 120 kg [264½].)

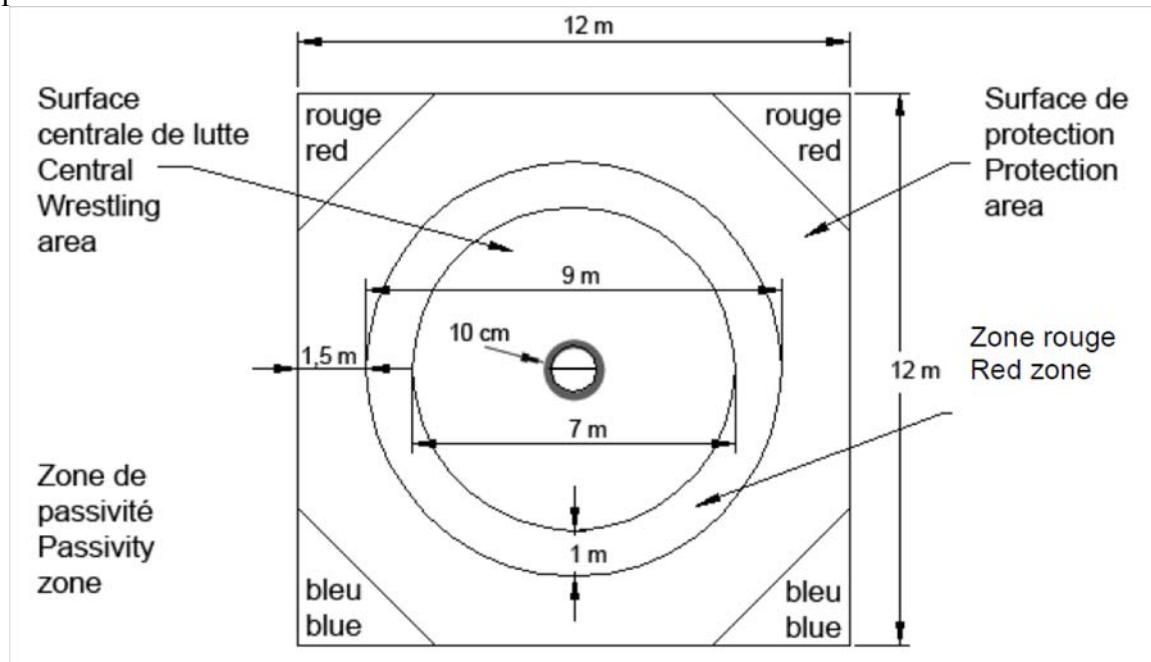
The rules of wrestling significantly changed in May 2013, as part of wrestling's efforts to improve the sport. Each match consists of two three-minute periods with a break in-between. The match score is cumulative over both periods. Wrestlers can score from 1-5 points on individual holds, and multiple scores can occur throughout the match. A wrestler wins if he scores more points than his opponent at the end of the match. There is no overtime for a tie, as criteria is used to determine the winner. A match is stopped for a pin, where a wrestler's shoulders are held to the mat. A match can also be stopped for a “technical superiority,” when one wrestler has scored 10 more points than the opponent. Matches can also be stopped by disqualification. Wrestlers are strongly encouraged to be aggressive throughout the match.

2014 FILA Freestyle World Cup Press–Radio–Television FACT PACK, page 8

Scoring of points is indicated by the referee, who will raise his/her fingers to signify the number of points awarded. The referee and judge must agree on the scoring in each match; if not, the mat chairman will help to coordinate the final result. Video reviews are not used except for a coach's challenge (one per match).

In the case of a tied score, there are a series of mandatory technical criteria to be reviewed which will indicate the winner of the bout.

The competition mat is shown below:



(Metric conversions: 12 m ~ 39 feet • 9 m ~ 29½ feet • 7 m ~ 23 feet • 1.5 m ~ 5 feet • 10 cm ~ 4 inches)

For the 2014 Men's Freestyle World Cup, two competition mats will be arranged on the floor of The Forum on a 36-inch-high (0.9 m) platform of 100 feet wide by 52 feet deep (30.5 m x 15.9 m).

The ten teams are divided into two pools, headed by the top two teams (Iran and Russia) from the 2013 Men's Freestyle World Championships. The other teams are assigned to pools by draw. Each of the five teams in each pool will be matched against each other, with the placewinners in each pool meeting the same placer from the opposite pool (1 vs. 1 for first, 2 vs. 2 for third, 3 vs. 3 for fifth, 4 vs. 4 for seventh and 5 vs. 5 for ninth).

Each dual match victory in pool competition counts for one point. If, after all individual bouts in a dual match, the score of the match is even (4-4), the winning nation will be determined by the following criteria, in the following order:

- (1) The most victories by fall, default, forfeit or disqualification;
- (2) The most victories by superiority;
- (3) The most technical points scored during the individual matches;
- (4) The fewest technical points given during the individual matches;
- (5) The outcome of the last individual match.

2014 FILA Freestyle World Cup

Press–Radio–Television FACT PACK, page 9

World Cup competitors must be a minimum of 18 years old in 2014. All members of the top three teams will receive medals and diplomas. Each participant will receive a souvenir and a diploma.

1.03 SELECTION OF LOS ANGELES AS HOST SITE

FILA awarded the 2014 Men’s Freestyle World Cup to USA Wrestling and the U.S. federation selected Los Angeles as the site for the event. This was, in part, because of the strong wrestling history and activity in the area, including highly-active clubs such as the Beats The Streets– Los Angeles program for at-risk youth, California USA Wrestling and the Titan Mercury Wrestling Club.

Moreover, Los Angeles hosted a highly-successful event – United4Wrestling – to promote the re-inclusion of wrestling into the Olympic sports program at the Los Angeles Sports Arena on May 19, 2013 in front of an enthusiastic crowd of 3,500 spectators. Male and female wrestlers from Canada, Russia and the United States competed in 13 matches in the second leg of a coast-to-coast wrestling promotion that began four days earlier in a temporary venue in New York’s Grand Central Terminal with matches between Iran, Russia and the U.S. before 700 spectators.

Los Angeles, of course, has a glorious Olympic history, having hosted the hugely-successful 1932 and 1984 Olympic Games, and has signaled its interest in hosting again in 2024. Wrestling events at the Games of the X Olympiad were held at the still-standing Olympic Auditorium in downtown Los Angeles (now a Korean Christian church); at the Games of the XXIII Olympiad, wrestling was held at the Anaheim Arena.

1.04 WORLD CUP HONORARY CHAIR BILLY BALDWIN

Actor, writer and producer Billy Baldwin has been named honorary chair of the 2014 Men’s Freestyle World Cup. Baldwin grew up wrestling in Massapequa, N.Y., and was a member of the Binghamton (N.Y.) University wrestling team. He has been a champion for wrestling most his life and he was an instrumental part of the Committee for the Preservation of Olympic Wrestling (CPOW), which worked to preserve wrestling on the program of the Olympic Games.

1.05 VENUE: THE FORUM

The World Cup is the first sporting event to be held in the newly-renovated Forum, one of the world’s great arenas. Site of the 1984 Olympic basketball competition, it re-opened on January 15, 2014 with a concert by The Eagles, after its purchase and renovation by Madison Square Garden Company.

Originally opened December 30, 1967 as the home for the Los Angeles Kings of the National Hockey League and Los Angeles Lakers of the National Basketball Association, it has a capacity of 18,000+ for concerts, but will seat approximately 8,500 for the World Cup.

For more, please visit www.FabulousForum.com.

1.06 TELEVISION

Highlights of the 2014 Freestyle Wrestling World Cup will be televised in the United States on a tape-delayed basis on the Universal Sports Network on Monday, March 24, from 8 to 10 p.m. Eastern Time.

There will be a talented team working the broadcast, including veteran play-by-play announcer Shane Sparks, actor and wrestling leader Billy Baldwin, Olympian and World silver medalist Jake Herbert and wrestling announcer Joe Miller. Also making guest appearances on the show will be UFC stars and former wrestling greats Daniel Cormier and Chael Sonnen.

2014 FILA Freestyle World Cup **Press–Radio–Television FACT PACK, page 10**

Exclusive television rights for the 2014 FILA Men's Freestyle World Cup have been sold for the territories of Iran and the United States, with rights in other nations reserved to FILA. Accredited broadcasters are allowed, *on a limited basis*, to shoot video of matches *other than* the 1st-place and 3rd-place matches. No live video may be shot of the championship and third-place matches. Details are included in the section of news media services.



1.07 WORLD CUP SPONSORS

MusclePharm is the presenting sponsor of the 2014 FILA Men's Freestyle World Cup. MusclePharm also recently signed a long-term deal to sponsor USA Wrestling. The Denver, Colorado-based nutritional supplement company is committed to growing the sport at both the grass roots and elite level.

MusclePharm® is a leading international, award-winning sports nutrition company offering vitamins and nutritional supplements which are available in more than 110 countries and available in 35,000+ retail outlets, including Bodybuilding.com, Costco, Dick's Sporting Goods, 24 Hour Fitness, Walgreens, Bally's, GNC, Vitamin Shoppe and Vitamin World. The company's brands are MusclePharm®, Arnold Schwarzenegger™ Series, and FitMiss™. The comprehensive lines of clinically-proven, safe and effective nutritional supplements are developed through a six-stage research process that utilizes the expertise of leading nutritional scientists, doctors and universities. For more information, visit www.musclepharmcorp.com.

ASICS is an official sponsor of FILA and USA Wrestling. Based in Irvine, California, ASICS is committed to growing and promoting the sport of wrestling worldwide.

Anima Sana In Corpore Sano, meaning "A Sound Mind in a Sound Body," is an old Latin phrase from which ASICS is derived and the fundamental platform on which the brand still stands. The company was founded more than 60 years ago by Kihachiro Onitsuka and is now a leading designer and manufacturer of performance athletic shoes, apparel and accessories. For more information, visit www.asics.com.

1.08 FÉDÉRATION INTERNATIONALE DES LUTTES ASSOCIÉES (FILA)

Organized in 1905, the International Federation of Amateur Wrestling, now known as the International Federation of Associated Wrestling Styles (abbreviated in French as FILA) is the international governing body for wrestling. It is affiliated with 177 national federations from around the world, and is based in Corsier-sur-Vevey, Switzerland.

It creates the rules and format of international competition, in multiple styles (including Freestyle, Greco Roman, Beach and Pankration) for wrestlers in multiple age groups. These include Cadets (ages 16-17), Juniors (18-20), Seniors (20+) and Veterans (35+).

2014 FILA Freestyle World Cup

Press–Radio–Television FACT PACK, page 11

► *FILA President Nenad Lalovic:*

Nenad Lalovic, from Belgrade, Serbia, was elected as the seventh president of FILA at a special Congress in Moscow on May 18, 2013. Lalovic had been serving as Acting President since Feb. 16, 2013, after the resignation of FILA President Raphael Martinetti. His term will run until September 2014, the remainder of the current term. He will then be eligible to run for a six-year term as FILA president.

The 55-year old Lalovic joined the FILA Bureau in 2006 and was re-elected in 2012. He's the former president of the Serbian Wrestling Federation and served on the bureaus of the European Wrestling Federation and the Serbian Olympic Committee.

Under his leadership, FILA regained its place on the Olympic sports program on September 8, 2013, when the IOC voted to restore wrestling as an Olympic sport for 2020 and 2024.

► *FILA Governance:*

The federation is governed by the FILA Bureau, which includes the president, four vice presidents, the Secretary General, 12 other elected members (with two seats reserved for women), the Presidents of the five Continental Committees, and an Honorary President who advises but has no vote. The President, the Vice Presidents, and the Secretary General make up the Executive Committee. Current members:

President:

Nenad Lalovic SRB

Bureau members:

Zamel Sayyaf Al Shahrani QAT

Namig Aliyev AZE

Theodoros Hamakos GRE

Dr. Casba Hegedüs HUN

Kim Ik-jong (*susp. to 2015*) KOR

Raphael Martinetti SUI

Akhroldjan Ruziev UZB

Daulet Turlykhanov KAZ

Tzeno Tzenov BUL

Rodica Maria Yaksi TUR

Natalia Yariguina RUS

(One position open)

Continental Presidents:

Dr. Kim Chang-kew KOR

Francisco Eduardo Lee Lopez GUA

Fouad Meskout MAR

John Tarkong, Jr. PLW

Vice Presidents:

Ahmet Ayik TUR

Stan Dzedzic USA

Tomiaki Fukuda JPN

Mikhail Mamiashvili RUS

Rio 2016 Coordinator:

Pedro Gama Filho BRA

General Secretary:

Michel Dusson FRA

The FILA delegate for the 2014 Men's Freestyle World Cup is Francisco Eduardo Lee Lopez of Guatemala, president of the Pan American Council of Associated Wrestling Styles.

To learn more about FILA visit its official website, www.fila-official.com; on Facebook at www.facebook.com/fila.official, or on Twitter: @FILA_Official.

1.09 USA WRESTLING

USA Wrestling is the National Governing Body for the Sport of Wrestling in the United States and, as such, is its representative to the United States Olympic Committee and the International Wrestling Federation (FILA). Simply put, USA Wrestling is the central organization that coordinates amateur wrestling programs in the nation and works to create interest and participation in these programs.

The United States is the all-time leader in Olympic wrestling medals with 125, including 50 gold, 42 silver and 33 bronze medals.

***2014 FILA Freestyle World Cup
Press–Radio–Television FACT PACK, page 12***

Located in Colorado Springs, Colorado, its president is James Ravannack, and the Executive Director is Rich Bender.

Daniel Cormier, a two-time Olympian in men's freestyle wrestling and an undefeated star with the Ultimate Fighting Championship, will serve as the Honorary Captain of the 2014 U.S. Freestyle World Cup Team. He was a member of the 2004 and 2008 U.S. Olympic Teams, placing fourth in Athens. He was a 2007 World Championships bronze medalist, placed fifth in the 2003 World Championships and won a silver medal in the 2005 World Cup. He won six straight U.S. Open national titles.

A native of Lafayette, La., Cormier has compiled an impressive Mixed Martial Arts record of 14-0 while competing at heavyweight and light heavyweight. Most recently, Cormier cemented his status as a light heavyweight title contender with a first-round knockout victory over Patrick Cummins in the co-main event of UFC 170. The 34-year-old trains at American Kickboxing Academy in San Jose.

For more information, please visit www.TheMat.com.

2014 FILA Freestyle World Cup

Press–Radio–Television FACT PACK, page 13

2. Event Pairings and Match Schedules

Saturday, March 15

- Session I:

11:00 a.m.:	(Pool A)	USA vs. Armenia	India vs. Turkey
12:00 p.m.:	(Pool A)	USA vs. India	Iran vs. Armenia
1:00 p.m.:	(Pool B)	Georgia vs. Japan	Mongolia vs. Russia
2:00 p.m.:	(Pool B)	Japan vs. Mongolia	Ukraine vs. Russia

- Session II:

5:00 p.m.:		Opening Ceremonies	
5:30 p.m.:	(Pool A)	Iran vs. Turkey	Armenia vs. India
6:30 p.m.:	(Pool A)	USA vs. Iran	Turkey vs. Armenia
7:30 p.m.:	(Pool B)	Mongolia vs. Georgia	Japan vs. Ukraine
8:30 p.m.:	(Pool B)	Georgia vs. Ukraine	Russia vs. Japan

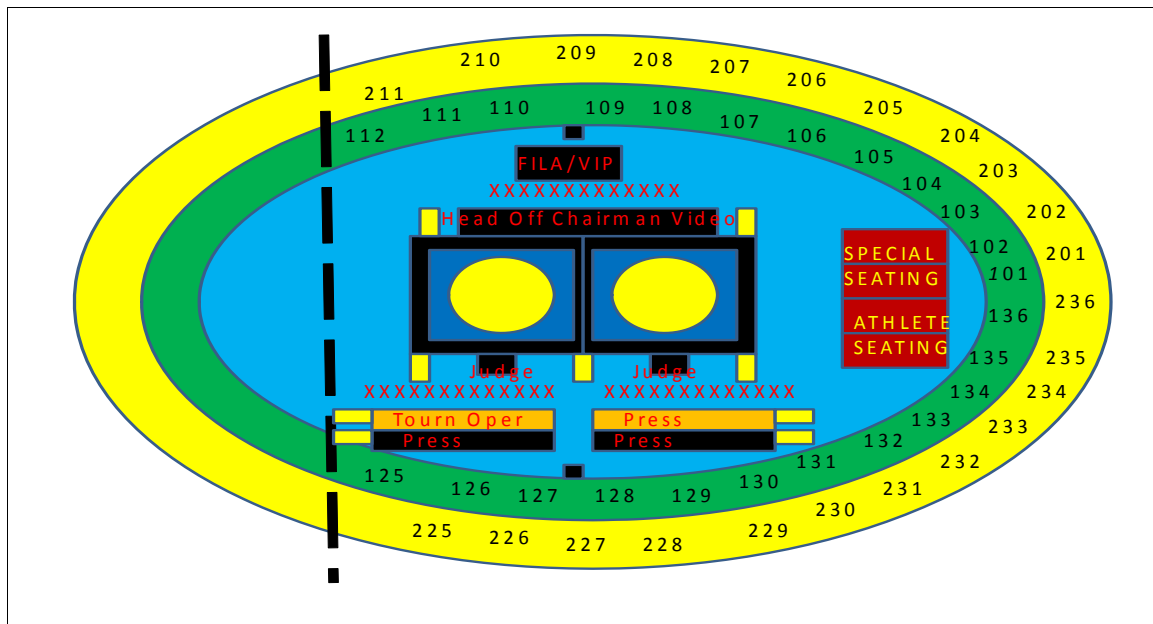
Sunday, March 16

- Session III:

11:00 a.m.:	(Pool A)	Iran vs. India	USA vs. Turkey
12:00 p.m.:	(Pool B)	Russia vs. Georgia	Ukraine vs. Mongolia
1:30 p.m.:		Seventh-place match	Ninth-place match
2:30 p.m.:		Fifth-place match	

- Session IV:

5:00 p.m.:		Third-place match	
6:00 p.m.:		First-place match, followed by Award Ceremonies	



The FILA Freestyle World Cup at The Forum

2014 FILA Freestyle World Cup
Press–Radio–Television FACT PACK, page 14

3.
Match-ups

This section showcases the entrants in each weight class, by pool, with thumbnail listings of their outstanding competitive results in *international championship* competitions. Entrants may be changed by the team coach up to 30 minutes prior to the start of any World Cup dual match.

3.01 MATCH-UPS: 57 KG & 61 KG

57 kg • 125 lbs Pool A	57 kg • 125 lbs Pool B	61 kg • 134 lbs. Pool A	61 kg • 134 lbs. Pool B
ARMENIA Artak Hovhannisyan (Age 20: 1 Oct 1993) 3) 2013 World Junior 3) 2013 Euro Junior 5) 2012 World Junior 2) 2012 Euro Junior 3) 2010 Youth Olympics	GEORGIA Beka Buijashvili (Age 21: 3 Jul 1993) 3) 2013 World Junior 7) 2012 European Junior 7) 2009 European Cadet Otari Gogava (Age 22: 5 Mar 1992) 5) 2013 World Univ. Games	ARMENIA Valodya Frangulyan (Age 21: 20 Oct 1992) 3) 2012 World Junior 3) 2012 Euro Junior 5) 2010 Euro Junior	GEORGIA Beka Lomtadze (Age 22: 23 Nov 1991) 5) 2011 Golden Grand Prix
INDIA Amit Kumar (Age 20: 15 Dec 1993) 2014 World Rank: 2 2) 2013 World Champs 1) 2013 Asian Champs 10) 2012 Olympic Games 3) 2012 Asian Champs 1) 2011 Asian Junior	JAPAN Fumitaka Morishita (Age 22: 5 Mar 1992) 2014 World Rank: 8 3) 2013 World University Ch. 5) 2013 Asian Champs 3) 2012 World Junior 2) 2009 Asian Junior	INDIA Bajrang (Age 20: 12 Feb 1994) 3) 2012 Asian Champs 8) 2012 World Junior 2) 2012 Asian Junior	JAPAN Katsuyoshi Kawase (Age unknown) 8) 2011 World Cadet
IRAN Hassan Rahimi (Age 24: 15 Jun 1989) 2014 World Rank: 1 1) 2013 World Champs 8) 2012 Olympic Games 1) 2012 Asian Champs 3) 2011 World Champs 1) 2009 World Junior 3) 2009 Asian Champs Mehran Rezazadeh (Age unknown)	MONGOLIA Erdenebat Bekhbayar (Age 21: 13 Aug 1992) 9) 2013 World Champs 1) 2012 World Junior 7) 2012 Asian Champs 5) 2011 World Junior Batbold Nomin (Age 21: 4 Feb 1993) 2014 World Rank: 7 2) 2013 World Junior 3) 2013 Asian Champs 2) 2010 Asian Junior 9) 2009 Asian Junior	IRAN Masoud Esmailpoor Jouybari (Age 25: 6 Aug 1988) 3) 2013 World Champs 7) 2012 Olympic Games 2) 2012 Asian Champs 1) 2010 Asian Champs 1) 2008 World Junior Sayed Ahmad Mohammadi Pahnehkolaie (Age 33: 9 Apr 1980) 3) 2010 World Champs 5) 2009 World Champs 3) 2008 Olympic Games 1) 2006 World Champs 3) 2005 World Champs	MONGOLIA Enkhsaikhan Nyam-Ochir (Age 29: 10 Mar 1985) 2014 World Rank: 5 5) 2013 World Champs 3) 2007 Asian Champs Bznzragch Bayanmunkh (Age unknown) 9) 2013 Asian Champs 3) 2012 Asian Champs

2014 FILA Freestyle World Cup
Press–Radio–Television FACT PACK, page 15

57 kg • 125 lbs Pool A	57 kg • 125 lbs Pool B	61 kg • 134 lbs. Pool A	61 kg • 134 lbs. Pool B
TURKEY Nebi Uzun (Age 20: 2 May 1993) 7) 2013 World Junior 2) 2013 European Junior 3) 2010 European Junior	RUSSIA Viktor Lebedev (26: 10 Mar 1988) 1) 2011 World Champs 1) 2010 World Champs 3) 2010 European Champs 3) 2009 World Champs Vladimir Flegontov (Age unknown) 2014 World Rank: 11	TURKEY Recep Topal (Age 21: 29 Oct 1992) 2) 2009 European Cadet	RUSSIA Murad Nukhkadiev (Age unknown) 2014 World Rank: 19 Aleksandr Bogomoev (Age 24: 17 Nov 1989) 2014 World Rank: 10 4) 2013 World Cuo 4) 2012 World Cup 7) 2011 World Cup
UNITED STATES Angel Escobedo (Age 27: 12 Jan 1987) 5) 2013 World Champs 1) 2002 World Cadet Andrew Hochstrasser (Age 27: 5 Jun 1986) 2014 World Rank: 20	UKRAINE Sergiey Ratushny (Age 27: 24 Jul 1986) 7) 2010 World University Ch. 2) 2006 European Junior 5) 2005 European Junior 3) 2004 European Junior	UNITED STATES Reece Humphrey (Age 27: 31 Jul 1986) 2014 World Rank: 20 9) 2011 World Champs 3) 2010 World University Ch. 2) 2008 World University Ch. Jimmy Kennedy (Age 25: 3 Jul 88) 2014 World Rank: 8 7) 2012 World University Ch.	UKRAINE Vasyl Fedoryshyn (Age 32: 31 Mar 1981) 2014 World Rank: 12 3) 2011 European Champs 2) 2010 World Champs 3) 2010 European Champs 3) 2009 World Champs 3) 2009 European Champs 2) 2008 Olympic Games 1) 2008 European Champs 1) 2007 European Champs 1) 2005 European Champs 3) 2004 European Champs 2) 2002 European Champs 2) 2001 European Champs

2014 FILA Freestyle World Cup
Press–Radio–Television FACT PACK, page 16

3.02 MATCH-UPS: 65 KG & 70 KG

65 kg • 143 lbs. Pool A	65 kg • 143 lbs. Pool B	70 kg • 154 lbs. Pool A	70 kg • 154 lbs. Pool B
<p style="text-align: center;">ARMENIA Artur Arakelyan (Age 26: 1 Feb 1987) 5) 2013 World Champs 9) 2012 Euro Champs 10) 2010 World Champs 7) 2009 World Champs 8) 2009 Euro Champs</p> <p style="text-align: center;">Artur Baghdasaryan (Age 27: 16 Jun 1985)</p>	<p style="text-align: center;">GEORGIA Levan Kelekhsashvili (Age 22: 5 Jan 1992) 5) 2013 World Champs 2) 2013 Intercontinental Cup 3) 2009 European Cadet 3) 2008 European Cadet</p>	<p style="text-align: center;">ARMENIA Davit Apoyan (Age 21: 29 Mar 1992) 3) 2012 World Junior 2) 2012 Euro Junior</p>	<p style="text-align: center;">GEORGIA Giorgi Tsurskiridze (Age 27: 21 Mar 1986) 5) 2011 Golden Grand Prix 7) 2010 Golden Grand Prix</p> <p style="text-align: center;">Zurabi Iakobishvili (Age 22: 4 Feb 1992) 8) 2012 World Cup 5) 2009 European Cadet 2) 2008 European Cadet</p>
<p style="text-align: center;">INDIA Rajneesh (Age unknown) 1) 2011 Commonwealth Ch. 10) 2011 Asian Champs</p>	<p style="text-align: center;">JAPAN Daichi Takatani (Age unknown) 3) 2011 World Cadet</p>	<p style="text-align: center;">INDIA Amit Kumar Dhankhar (Age 24: 10 Mar 1989) 1) 2013 Commonwealth Ch. 2) 2006 Asian Cadets</p>	<p style="text-align: center;">JAPAN Ken Hosaka (Age 21: 25 Jul 1992)</p>
<p style="text-align: center;">IRAN Meysam Nasiri (Age unknown)</p> <p style="text-align: center;">Ebrahim Nasirafrachali (Age 22: 5 Aug 1991) 2) 2011 World Junior 2) 2008 Asian Cadet</p>	<p style="text-align: center;">MONGOLIA Ganzorig Mandakhnaran (Age 27: 11 May 1986) 2014 World Rank: 3 3) 2013 World Champs 3) 2013 World Univ Games 2) 2013 Asian Champs 1) 2010 Asian Games 2) 2009 Asian Champs</p> <p style="text-align: center;">Batchuluun Batmagnai (Age unknown) 9) 2012 World University Ch. 5) 2009 World Junior</p>	<p style="text-align: center;">IRAN Mostafa Hosseinkhani (Age unknown) 9) 2011 Asian Champs 9) 2010 Asian Champs 1) 2009 Asian Junior 1) 2008 Asian Junior</p> <p style="text-align: center;">Peyman Yaramadi (Age 19: 4 Jun 1994) 2014 World Rank: 2 3) 2013 World Junior 3) 2012 Asian Junior 3) 2011 World Cadet 1) 2011 Asian Cadet</p>	<p style="text-align: center;">MONGOLIA Gantulga Iderkhuu (Age 21: 31 Mar 1992) 3) 2012 Asian Junior 7) 2011 Asian Junior 10) 2010 Asian Junior</p> <p style="text-align: center;">Buyanjav Batzorig (Age 31: 9 Mar 1983) 5) 2010 World Champs 8) 2008 Olympic Games 8) 2007 World Champs 3) 2006 Asian Games 2) 2006 Asian Champs 7) 2005 World Champs 3) 2004 Asian Champs</p>
<p style="text-align: center;">TURKEY Mustafa Kaya (Age 21: 6 Jun 1992) 2014 World Rank: 15 1) 2013 Mediterranean Gms 3) 2012 World University Ch. 3) 2012 World Junior 1) 2012 European Junior 5) 2011 World Junior 3) 2011 European Junior 9) 2010 World Junior</p>	<p style="text-align: center;">RUSSIA Alibeggadzhi Emeev (Age unknown) 2014 World Rank: 7 3) 2008 European Cadet</p> <p style="text-align: center;">Soslan Ramonov (Age unknown) 2014 World Rank: 9 1) 2008 European Cadet 1) 2007 European Cadet</p>	<p style="text-align: center;">TURKEY Selahattin Kilicsallayan (Age 20: 18 Oct 1993) 1) 2013 World Junior 1) 2013 European Junior</p>	<p style="text-align: center;">RUSSIA Ramazan Shamsutdinov (Age unknown) 2014 World Rank: 4</p> <p style="text-align: center;">Khetik Tsabolov (Age 22: 17 Nov 1991) 2014 World Rank: 6 2) 2011 World Junior</p>
<p style="text-align: center;">UNITED STATES Brent Metcalf (Age 27: 14 Jul 1986) 3) Pan Am Champs</p> <p style="text-align: center;">Kellen Russell (Age 25: 20 Feb 1989)</p>	<p style="text-align: center;">UKRAINE Ivan Petriv (Age 21: 7 Oct 1992) 3) 2012 European Junior</p>	<p style="text-align: center;">UNITED STATES Nick Marable (Age 26: 7 May 1987) 2014 World Rank: 4 [74 kg] 1) 2011 Pan Am Games</p> <p style="text-align: center;">Moza Fay (Age 28: 25 Jul 1985)</p>	<p style="text-align: center;">UKRAINE Andrey Kvyatkovskyy (Age 24: 2 Feb 1990) 2014 World Rank: 7 2) 2012 Intercontinental Cup 3) 2010 European Junior 3) 2007 European Junior 10) 2006 European Cadet 5) 2005 European Cadet</p>

2014 FILA Freestyle World Cup
Press–Radio–Television FACT PACK, page 17

3.03 MATCH-UPS: 74 KG & 86 KG

74 kg • 163 lbs Pool A	74 kg • 163 lbs. Pool B	86 kg • 189 lbs. Pool A	86 kg • 189 lbs. Pool B
ARMENIA Valruzhan Kajoyan (Age 22: 26 Dec 1991)	GEORGIA Giorgi Marsagishvili (Age 25: 19 Dec 1988) 3) 2008 World Junior 3) 2008 European Junior 3) 2005 European Cadet	ARMENIA Vahe Tamrazyan (Age 21: 4 Jul 1992) 5) 2012 World Junior 7) 2012 European Junior 2) 2011 European Junior 9) 2010 European Junior	GEORGIA Levan Gogritchiani (Age 20: 14 Oct 1993) 3) 2010 European Cadet 9) 2009 European Cadet
INDIA Parveen Rana (Age 21: 12 Nov 1992) 1) 2013 Commonwealth Ch. 3) 2012 Asian Champs 3) 2011 World Junior 5) 2010 World Junior	JAPAN Sohsuke Takatani (Age 24: 5 Apr 1989) 7) 2013 World Champs 7) 2010 World University Ch. 9) 2009 World Junior 5) 2007 World Junior	INDIA Pawan Kumar (Age 20: 16 Oct 1993) 1) 2013 Commonwealth Ch. 7) 2013 Asian Junior 8) 2012 Asian Champs 1) 2011 Commonwealth Ch. 3) 2011 Asian Champs	JAPAN Atsushi Matsumoto (Age 25: 24 Mar 1988) 8) 2010 Asian Games 9) 2010 World University Ch. 8) 2009 Asian Champs 5) 2007 World Junior
IRAN Ezzatollah Akbari Zarinkolaei (Age 21: 20 Aug 1992) 2014 World Rank: 2 2) 2013 World Champs Reza Afzalipaemami (Age 24: 7 Jan 1990) 2014 World Rank: 18 8) 2013 World Univ. Games 1) 2012 World University Ch. 5) 2010 World Junior 1) 2010 Asian Junior	MONGOLIA Batchullun Ankhbayar (Age unknown) 3) 2011 Asian Champs Dorjvaanchig Gombodorj (Age 28: 1 Dec 1985) 5) 2013 World Univ Games 5) 2012 Asian Champs 3) 2010 Asian Games 10) 2010 Asian Champs 3) 2008 Asian Champs 8) 2007 Asian Champs 3) 2006 World University Ch. 3) 2005 Asian Junior	IRAN Ehsan Lashgari (Age 28: 30 Aug 1985) 2014 World Rank: 3 3) 2013 World Champs 3) 2012 Olympic Games 1) 2012 Asian Champs 1) 2010 Asian Champs 1) 2009 Asian Champs Meisam Mostafa Joukar (Age unknown) 2014 World Rank: 11 1) 2012 World University Ch. 2) 2008 Asian Champs 2) 2007 Asian Champs Ali Reza Karmimachiani (Age 19: 21 Mar 1994) 2014 World Rank: 16 1) 2013 Asian Junior 2) 2011 World Cadet	MONGOLIA Orgodol Uitumen (Age unknown) 8) 2013 World Champs 7) 2013 Asian Champs Purevjav Unurbat (Age 25: 15 Dec 1988) 3) 2011 Asian Champs 7) 2010 Asian Games 3) 2010 Asian Champs 10) 2009 World Champs 10) 2009 Asian Champs 2) 2008 Asian Champs 3) 2008 World Junior 3) 2008 Asian Junior 2) 2007 Asian Junior
TURKEY Murat Erturk (Age 19: 9 May 1994)	RUSSIA Akhmed Gadzhimagomedov (Age unknown) 2014 World Rank: 8 3) 2013 Intercontinental Cup 2) 2012 Intercontinental Cup Atsamaz Sanakoev (Age unknown) 2014 World Rank: 16 1) 2012 European Junior	TURKEY Fatih Erdin (Age unknown) Ahmet Bilici (Age 26: 12 Sep 1987) 4) 2004 European Cadet	RUSSIA Shamil Kudiamagomedov (Age 20: 9 May 1993) 2014 World Rank: 10 2) 2013 World Univ. Games 3) 2013 World Junior Anzor Urishev (Age 27: 23 Jan 1987) 2014 World Rank: 13 3) 2013 European Champs 8) 2012 Olympic Games 3) 2012 European Champs 1) 2011 European Champs 1) 2010 European Champs

2014 FILA Freestyle World Cup
Press–Radio–Television FACT PACK, page 18

74 kg • 163 lbs Pool A	74 kg • 163 lbs. Pool B	86 kg • 189 lbs. Pool A	86 kg • 189 lbs. Pool B
<p style="text-align: center;">UNITED STATES Jordan Burroughs (Age 25: 8 Jul 1988) 2014 World Rank: 1 1) 2013 World Champs 1) 2012 Olympic Games 1) 2011 World Champs 1) 2011 Pan Am Games 10) 2008 World Junior</p> <p style="text-align: center;">Dan Vallimont (Age 27: 11 Nov 1986)</p>	<p style="text-align: center;">UKRAINE Giya Chykhladze (Age 27: 9 May 1986) 3) 2013 European Champs</p>	<p style="text-align: center;">UNITED STATES Keith Gavin (Age 28: 12 Aug 1985) 2014 World Rank: 17 2) 2011 Pan Am Champs</p> <p style="text-align: center;">Clayton Foster (Age 25: 8 Apr 1988) 3) 2008 World Junior</p>	<p style="text-align: center;">UKRAINE Ibragim Aldatov (Age 30: 4 Nov 1983) 2014 World Rank: 1 1) 2013 World Champs 3) 2013 European Champs 9) 2012 Olympic Games 2) 2011 World Champs 9) 2010 European Champs 3) 2009 World Champs 5) 2008 European Champs 2) 2007 World Champs 1) 2006 World Champs</p>

2014 FILA Freestyle World Cup
Press–Radio–Television FACT PACK, page 19

3.04 MATCH-UPS: 97 KG & 125 KG

97 kg • 213 lbs Pool A	97 kg • 213 lbs. Pool B	125 kg • 275 lbs. Pool A	125 kg • 275 lbs. Pool B
ARMENIA Viktor Kazishvili (Age 19: 10 Oct 1994) 1) 2013 Francophone Games 3) 2013 European Junior 8) 2012 European Junior	GEORGIA Nodar Egadze (Age 25: 4 Nov 1988) 4) 2013 World Cup Eldar Kurtanidze (Age unknown) 1) World Beach Cadet Ch.	ARMENIA Andranik Galstyan (Age 23: 10 Apr 1990) 3) 2013 Francophone Games	GEORGIA Geno Petriashvili (Age 19: 1 Apr 1994) 2014 World Rank: 7 3) 2013 World Champs 3) 2013 European Champs 1) 2013 World Junior 1) 2013 European Junior 3) 2012 World Junior 1) 2011 European Cadet 4) 2010 Youth Olympics Giorgi Sakandelidze (Age 23: 29 Mar 1990) 1) 2013 Intercontinental Cup 1) 2012 Intercontinental Cup 2) 2011 World Beach Ch. 3) 2010 World Junior 1) 2010 European Junior 2) 2009 World Junior
INDIA Saywart Kadian (Age 20: 8 Nov 1993) 1) 2013 Commonwealth Ch. 3) 2013 World Junior 3) 2010 Youth Olympics	JAPAN Koki Yamamoto (Age 20: 14 Nov 1993) 10) 2012 World Junior 8) 2011 Asian Junior	INDIA Krishan Kumar (Age unknown) 2) 2011 Asian Junior	JAPAN Nobuyoshi Arakida (Age 25: 26 Mar 1988) 5) 2012 Asian Champs 3) 2009 Asian Champs 7) 2008 Asian Champs 3) 2008 World Junior 9) 2006 World Junior
IRAN Reza Yazdani (Age 29: 25 Aug 1984) 2014 World Rank: 1 1) 2013 World Champs 5) 2012 Olympic Games 1) 2011 World Champs 1) 2010 Asian Games 3) 2007 World Champs 3) 2006 World Champs 1) 2006 Asian Games Hamed Talebi Zarinkamar (Age 22: 24 Sep 1991) 2014 World Rank: 14 1) 2011 Asian Champs 1) 2011 World Junior 1) 2008 Asian Champs	MONGOLIA Dorjkhand Khuderbulga (Age 21: 7 May 1992) 2014 World Rank: 15 3) 2013 World Univ. Games 3) 2013 Asian Champs 3) 2012 Asian Champs 8) 2012 World University Ch. 7) 2012 World Junior 9) 2011 Asian Champs 5) 2009 Asian Champs Amar Batmunkh (Age unknown)	IRAN Komeil Ghasemi (Age 26: 27 Feb 1988) 2014 World Rank: 8 10) 2013 World Champs 3) 2012 Olympic Games 2) 2011 Asian Champs 3) 2008 World Junior 3) 2007 World Junior Parviz Hadi Basmanj (Age unknown) 3) 2013 World Univ. Games 1) 2013 Asian Champs 2) 2012 World University Ch.	MONGOLIA Jargalsaikhan Chuluunbat (Age 29: 3 Dec 1984) 2) 2013 Asian Champs 7) 2012 Olympic Games 3) 2012 Asian Champs 5) 2011 World Champs 3) 2011 Asian Champs 2) 2010 Asian Games 2) 2010 Asian Champs 3) 2008 Asian Champs Natsagsuren Zolboo (Age 23: 14 Dec 1990) 3) 2011 Asian Champs 7) 2010 Asian Junior 8) 2008 Asian Junior

2014 FILA Freestyle World Cup
Press–Radio–Television FACT PACK, page 20

97 kg • 213 lbs Pool A	97 kg • 213 lbs. Pool B	125 kg • 275 lbs. Pool A	125 kg • 275 lbs. Pool B
<p style="text-align: center;">TURKEY Ibrahim Bolukbasi (Age 23: 1 Dec 1990) 2014 World Rank: 7 2) 2010 European Junior 1) 2010 Mediterranean Ch.</p>	<p style="text-align: center;">RUSSIA Khadjimurat Gatsalov (Age 30: 11 Dec 1982) 1) 2013 World Champs 2) 2010 World Champs 1) 2009 World Champs 1) 2007 World Champs 1) 2006 World Champs 1) 2006 European Champs 1) 2005 World Champs 1) 2004 Olympic Games 1) 2004 European Champs 1) 2003 European Champs</p> <p style="text-align: center;">Yuri Belonovskiy (Age 26: 6 Feb 1988) 1) 2012 Intercontinental Cup 1) 2010 World University Ch. 7) 2010 European Champs 1) 2009 Maccabiah Games 1) 2008 European Junior</p>	<p style="text-align: center;">TURKEY Hamza Ozkaradeniz (Age 21: 24 May 1992) 9) 2012 World Junior 3) 2012 European Junior 3) 2011 World Junior 2) 2009 European Cadet</p>	<p style="text-align: center;">RUSSIA Anzor Khizriev 2014 World Rank: 17 (Age unknown)</p> <p style="text-align: center;">Arslanbek Aliev (Age unknown) 2014 World Rank: 18 2) 2013 Intercontinental Cup</p>
<p style="text-align: center;">UNITED STATES J.D. Bergman (Age 29: 7 Sep 1984) 10) 2010 World Champs 3) 2010 Pan Am Champs</p> <p style="text-align: center;">Dustin Kilgore (Age 24: 28 May 1989) 9) 2012 World University Ch. 1) 2012 Pan Am Champs</p>	<p style="text-align: center;">UKRAINE Pavlo Oliinyk (Age 25: 21 Feb 1989) 2014 World Rank: 3 3) 2013 World Champs 2) 2013 World University Ch. 1) 2013 European Champs 3) 2011 European Champs 10) 2010 European Champs 8) 2009 World Junior 3) 2009 European Junior 7) 2007 World Junior</p>	<p style="text-align: center;">UNITED STATES Tervel Dlagnev (Age 28: 19 Nov 1985) 2014 World Rank: 12 5) 2013 World Champs 5) 2012 Olympic Games 1) 2012 Pan Am Champs 1) 2011 Pan Am Games 5) 2011 World Champs 1) 2010 Pan Am Champs 3) 2009 World Champs 1) 2008 World University Ch.</p> <p style="text-align: center;">Tyrell Fortune (Age 23: 4 Jul 1990) 2014 World Rank: 15 7) 2009 World Junior</p>	<p style="text-align: center;">UKRAINE Alen Zaseev (Age 25: 10 Oct 1988) 2014 World Rank: 2 2) 2013 World Champs 2) 2013 European Champs 3) 2012 Intercontinental Cup 1) 2008 World Junior 2) 2007 World Junior 1) 2005 World Cadet</p>

2014 FILA Freestyle World Cup
Press–Radio–Television FACT PACK, page 21

4.
Team Resumes

4.01 PARTICIPATING TEAMS IN PRIOR FILA MEN’S FREESTYLE WORLD CUPS

This chart summarizes the participation of the teams in the 2014 Men’s Freestyle World Cup in prior editions of the event. Two nations – Armenia and India – will make their first appearances in the event.

No nation has competed in all 41 prior editions of the Men’s Freestyle World Cup. The closest is the United States, which has participated in 36 of 41. Russian fans will note that if USSR and Russian participation was combined, the total would be 39, missing only 1992 (after the Soviet Union was dissolved on December 26, 1991) and 1999.

<i>Team</i>	<i>No. of Appearances</i>	<i>First Appearance</i>	<i>Most Recent Appearance</i>	<i>1st place finishes</i>	<i>2nd-place finishes</i>	<i>3rd-place finishes</i>
Armenia	0	2014	---	---	—	—
Georgia	6	2006	2013	Best finish: 4th in 2007		
India	0	2014	—	---	—	—
Iran	19	1974	2013	4	11	1
Japan	12	1973	2013	0	0	5
Mongolia	5	1975	2002	0	2	1
Russia	20	1993	2013	6	6	5
(USSR)	19	1973	1991	15	4	0
Turkey	8	1990	2013	Best finish: 4th in 1992		
Ukraine	9	2000	2011	0	1	2
United States	36	1973	2013	13	14	6

4.02 TEAMS: ARMENIA

Armenia makes its first appearance in the Men’s Freestyle World Cup in 2014. It qualified by placing ninth in the men’s Freestyle team ranking at the 2013 FILA World Championships in Budapest, Hungary.

► *Projected line-up:*

- 57 kg/125 lbs.: Artak Hovhannisyan
- 61 kg/134 lbs.: Valodya Frangulyan
- 65 kg/143 lbs.: Artur Arakelyan, or Artur Baghdasaryan
- 70 kg/154 lbs.: Davit Apoyan
- 74 kg/163 lbs.: Valruzhan Kajoyan
- 86 kg/189 lbs.: Vahe Tamrazyan
- 97 kg/213 lbs.: Viktor Kazishvili
- 125 kg/275 lbs.: Andranik Galstyan

► *Wrestling Federation of Armenia:*

- President: Samvel Karapetyan
- Executive Dir.: Hovhannes Sofoyan
- Team Leader: Bazmaser Arakelyan
- Coach: Hovsep Hovsepyan
- Doctor: Habetnak Kurghinyan
- Referee: Ashot Khachatryan

2014 FILA Freestyle World Cup

Press–Radio–Television FACT PACK, page 22

► *Recent World Cup and World Championships results:*

- 2013 World Championships: Team: 9th, 18 points Medals: 1 (1 Gold)
- 2012 Olympic Games: Medals: 0
- 2011 World Championships: Team: 16th, 6 points Medals: 0
- 2010 World Championships: Team: 25th, 3 points Medals: 0

- No prior World Cup participation.

4.03 TEAMS: GEORGIA

Georgia earned its place in the 2013 Men's Freestyle World Cup with a third-place finish in the 2013 Men's Freestyle World Championships. This will be the seventh appearance for Georgia in the Men's Freestyle World Cup, and fourth in a row.

► *Projected line-up:*

- 57 kg/125 lbs.: Beka Bujiashvili or Otari Gogava
- 61 kg/134 lbs.: Beka Lomtadze
- 65 kg/143 lbs.: Levan Kelekhsashvili
- 70 kg/154 lbs.: Giorgi Tsurskiridze or Zurabi Iakobishvili
- 74 kg/163 lbs.: Giorgi Marsagishvili
- 86 kg/189 lbs.: Levan Gogritchiani
- 97 kg/213 lbs.: Nodar Egadze or Eldar Kurtanidze
- 125 kg/275 lbs.: Geno Petriashvili or Giorgi Sakandelidze

► *Georgia Wrestling Federation:*

- President: Luka-Eldar Kurtanidze
- Sec'y Gen.: Giorgi Lomidze

- Team Leader: Giorgi Lomidze
- Coaches: David Pagosian, Aleksandre Kakhniashvili
- Officials: Khatuna Mikatsadze, Mukhran Vakhtangadze

- Referee : Zaza Jibladze

► *Recent Men's Freestyle World Cup and Men's Freestyle World Championships results:*

- 2013 World Championships: Team: 3rd, 29 points Medals: 1 (1 Bronze)
- 2012 Olympic Games: Medals: 4 (2 Silver, 2 Bronze)
- 2011 World Championships: Team: 5th, 34 points Medals: 3 (3 Bronze)
- 2010 World Championships: Team: 5th, 21 points Medals: 2 (2 Bronze)

- 2013 World Cup: (Tehran) 6th
- 2012 World Cup: (Baku) 6th
- 2011 World Cup: (Makhachkata) 9th
- 2010 World Cup: (Moscow) Did not compete

4.04 TEAMS: INDIA

India will make its first appearance in the Men's Freestyle World Cup in 2014, It qualified by finishing sixth in the team standings at the 2013 World Championships.

► *Projected line-up:*

- 57 kg/125 lbs.: Amit Kumar
- 61 kg/134 lbs.: Bajrang
- 65 kg/143 lbs.: Rajneesh
- 70 kg/154 lbs.: Amit Kumar Dhankhar
- 74 kg/163 lbs.: Parveen Rana
- 86 kg/189 lbs.: Pawan Kumar
- 97 kg/213 lbs.: Saywart Kadian
- 125 kg/275 lbs.: Krishan Kumar

2014 FILA Freestyle World Cup

Press–Radio–Television FACT PACK, page 23

▶ *Wrestling Federation of India:*

President:	Sharan Singh Brij Bhushan	Doctor:	Dr. Vijay
Sec'y Gen.:	Raj Singh	Masseur:	Rahul Sharma
		Official:	Deva Nand
Team Leader:	Kuldeep Singh Rana		
Coaches:	Vinod Kumar, Anil Kumar, Anil Mann	Referee:	Satya Dev Malik

▶ *Recent Men's Freestyle World Cup and Men's Freestyle World Championships results:*

- 2013 World Championships: Team: 6th, 23 points Medals: 2 (1 Silver, 1 Bronze)
- 2012 Olympic Games: Medals: 2 (1 Silver, 1 Bronze)
- 2011 World Championships: Team: did not score
- 2010 World Championships: Team: 13th, 10 points Medals: 1 (1 Gold)
- No prior World Cup participation.

4.05 TEAMS: IRAN

Iran returns to the Men's Freestyle World Cup as the two-time defending champions in the event. Iran has won four World Cup titles in all, in 1996 (in Tehran), 2006 (in Sari, IRI), in 2012 (in Baku, AZE) and in Tehran in 2013. It qualified for the 2014 Men's Freestyle World Cup by finishing first in the team standings at the 2013 World Championships. The Iranians have been either first or second in the last five World Cups and seven of the last eight.

▶ *Projected line-up:*

57 kg/125 lbs.:	Hassan Rahimi or Mehran Rezazadeh
61 kg/134 lbs.:	Masoud Esmailpoor Jouybari or Sayed Ahmad Mohammadi Pahnehkolaie
65 kg/143 lbs.:	Meysam Nasiri or Ebrahim Nasirafrachali
70 kg/154 lbs.:	Mostafa Hosseinkhani or Peyman Yaramadi
74 kg/163 lbs.:	Ezzatollah Akbari Zarinkolaei or Reza Afzalipaemami
86 kg/189 lbs.:	Ehsan Lashgari or Meisam Mostafajoukar or Ali Reza Karmimachiani
97 kg/213 lbs.:	Reza Yazdani or Hamed Talebi Zarinkamar
125 kg/275 lbs.:	Komeil Ghasemi or Parviz Hadi Basmanj

▶ *Islamic Republic of Iran Amateur Wrestling Federation:*

President:	Rasoul Khadem Azghadi
Team Leader:	Ali Bayat
Coaches:	Rasoul Khadem, Gholamreza Mohammadi, Reza Layegh, Amir Tavakolian, Mohsen Kaveh, Hossein Naghibi, Aliakbar Dodangeh
Doctors:	Sadeh Mahboubi, Davood Azadbakht, Ramin Amirsasani
Officials:	Ali Reza Rezaie, Ali Reza Heidari, Seyed Manaf Hashemi, Hamidreza Haidarian
Referee:	Mohammed Ebrahim Emami

▶ *Recent Men's Freestyle World Cup and Men's Freestyle World Championships results:*

- 2013 World Championships: Team: 1st, 46 points Medals: 5 (2 Gold, 1 Silver, 2 Bronze)
- 2012 Olympic Games: Medals: 3 (1 Silver, 2 Bronze)
- 2011 World Championships: Team: 2nd, 41 points Medals: 4 (2 Gold, 1 Silver, 1 Bronze)

2014 FILA Freestyle World Cup

Press–Radio–Television FACT PACK, page 24

- 2010 World Championships: Team: 4th, 27 points Medals: 2 (1 Silver, 1 Bronze)
- 2013 World Cup: (Tehran) 1st
- 2012 World Cup: (Baku) 1st
- 2011 World Cup: (Makhachkata) 2nd
- 2010 World Cup: (Moscow) 2nd

4.06 TEAMS: JAPAN

Japan qualified for its 13th appearance in the Men's Freestyle World Cup by finishing seventh in the team standings at the 2013 World Championships.

- ▶ *Projected line-up:*
 - 57 kg/125 lbs.: Fumitaka Morishita
 - 61 kg/134 lbs.: Katsuyoshi Kawase
 - 65 kg/143 lbs.: Daichi Takatani
 - 70 kg/154 lbs.: Ken Hosaka
 - 74 kg/163 lbs.: Sohsuke Takatani
 - 86 kg/189 lbs.: Atsushi Matsumoto
 - 97 kg/213 lbs.: Koki Yamamoto
 - 125 kg/275 lbs.: Nobuyoshi Arakida
- ▶ Japan Wrestling Federation:
 - President: Tomiaki Fukuda
 - Sec'y Gen.: Yasushi Kitane
 - Team Leader: Tomohiro Matsunaga
 - Coach: Kenichi Yumoto
 - Masseur: Atsushi Kawasaki
 - Referee: Masaki Shionohara
- ▶ *Recent Men's Freestyle World Cup and Men's Freestyle World Championships results:*
 - 2013 World Championships: Team: 16th, 9 points Medals: 0
 - 2012 Olympic Games: Medals: 2 (1 Gold, 1 Bronze)
 - 2011 World Championships: Team: 7th, 23 points Medals: 2 (1 Silver, 1 Bronze)
 - 2010 World Championships: Team: 19th, 8 points Medals: 1 (1 Bronze)
 - 2013 World Cup: (Tehran) 7th
 - 2012 World Cup: (Baku) 9th
 - 2011 World Cup: (Makhachkata) Did not compete
 - 2010 World Cup: (Moscow) Did not compete

4.07 TEAMS: MONGOLIA

Mongolia qualified for the 2014 Men's Freestyle World Cup by finishing eighth in the 2013 World Championships. It will be Mongolia's first appearance in the Men's Freestyle World Cup since 2002.

- ▶ *Projected line-up:*
 - 57 kg/125 lbs.: Erdenebat Bekhbayar or Batbold Nomin
 - 61 kg/134 lbs.: Enkhsaikhan Nyam-Ochir or Bznzragch Bayanmunkh
 - 65 kg/143 lbs.: Ganzorig Mandakhnaran or Batchuluun Batmagnai
 - 70 kg/154 lbs.: Gantulga Iderkhuu or Buyanjav Batzorig
 - 74 kg/163 lbs.: Batchullun Ankhbayar or Dorjvaanchig Gombodorj
 - 86 kg/189 lbs.: Orgodol Uitumen or Purevjav Unurbat
 - 97 kg/213 lbs.: Dorjkhand Khuderbulga or Amar Batmunkh
 - 125 kg/275 lbs.: Jargalsaikhan Chuluunbat or Natsagsuren Zolboo

2014 FILA Freestyle World Cup

Press–Radio–Television FACT PACK, page 25

► *Mongolian Wrestling Federation:*

President:	Dolgosuren Dagvadorj		Luvsandamba Enkhbayar
Sec’y Gen.:	Tumurbaatar Baatar	Doctor:	Chuluun Nasanbat
		Officials:	Dashzeveg Sarnai, Lkhasuren Batbileg
Team Leader:	Bayarra Naranbaatar		
Coaches:	Tserenbaatar Tsogtbayar, Oyunbileg Purevbaatar,	Referee:	Tserendagva Sereeter

► *Recent Men’s Freestyle World Cup and Men’s Freestyle World Championships results:*

- 2013 World Championships: Team: 6th, 23 points Medals: 2 (1 Silver, 1 Bronze)
- 2012 Olympic Games: Medals: 2 (1 Silver, 1 Bronze)
- 2011 World Championships: Team: did not score
- 2010 World Championships: Team: 13th, 10 points Medals: 1 (1 Gold)

- No World Cup participation since 2002.

4.08 TEAMS: RUSSIA

Russia enters the 2014 Men’s Freestyle World Cup as six-time champions, their last coming back-to-back in 2010 and 2011. They qualified for the 2014 event by finishing second in the team standings at the 2013 Men’s Freestyle World Championships.

► *Projected line-up:*

57 kg/125 lbs.:	Viktor Lebedev or Vladimir Flegontov
61 kg/134 lbs.:	Murad Nukhkadiiev or Aleksandr Bogomoev
65 kg/143 lbs.:	Alibeggadzhi Emeev or Soslan Ramenov
70 kg/154 lbs.:	Ramazhan Shamsutdinov or Khetik Tsabolov
74 kg/163 lbs.:	Akhmed Gadzhimagomedov or Atsamaz Sanakoev
86 kg/189 lbs.:	Shamil Kudiamagomedov or Anzor Urishev
97 kg/213 lbs.:	Khadjimurat Gatsalov or Yuri Belonovskiy
125 kg/275 lbs.:	Anzor Khizriev or Arslanbek Aliev

► *Russian Wrestling Federation:*

President:	Mikhail Mamiashvili
Sec’y Gen.:	Georgy Bryusov
Team Leader:	Christakis Alexandridis
Coaches:	Magomed Guseynov, Mayrbek Yusupov, Vladimir Modosian
Doctor:	Umar Tebiev
Officials:	Mikhail Everstov, Gvineri Bestaev
Referee:	Noravard Arustamian

► *Recent Men’s Freestyle World Cup and Men’s Freestyle World Championships results:*

- 2013 World Championships: Team: 2nd, 44 points Medals: 3 (2 Gold, 3 Bronze)
- 2012 Olympic Games: Medals: 4 (1 Gold, 1 Silver, 2 Bronze)
- 2011 World Championships: Team: 1st, 43 points Medals: 4 (2 Gold, 1 Silver, 1 Bronze)
- 2010 World Championships: Team: 1st, 66 points Medals: 7 (4 Gold, 2 Silver, 1 Bronze)

- 2013 World Cup: (Tehran) 2nd
- 2012 World Cup: (Baku) 4th

2014 FILA Freestyle World Cup

Press–Radio–Television FACT PACK, page 26

- 2011 World Cup: (Makhachkala) 1st
- 2010 World Cup: (Moscow) 1st

4.09 TEAMS: TURKEY

Turkey qualified for the 2014 Men's Freestyle World Cup by finishing 10th in the 2013 Men's Freestyle World Championships. It will be the ninth appearance for Turkey in the Men's Freestyle World Cup and third in succession.

- ▶ *Projected line-up:*
 - 57 kg/125 lbs.: Nebi Uzun
 - 61 kg/134 lbs.: Recep Topal
 - 65 kg/143 lbs.: Mustafa Kaya
 - 70 kg/154 lbs.: Selahattin Kilicsallayan
 - 74 kg/163 lbs.: Murat Erturk
 - 86 kg/189 lbs.: Fatih Erdin or Ahmet Bilici
 - 97 kg/213 lbs.: Ibrahim Bolukbasi
 - 125 kg/275 lbs.: Hamza Ozkaradeniz
- ▶ *Turkish Wrestling Federation:*
 - President: Hamza Yerlikaya
 - Sec'y Gen.: Yusuf Acikalin
 - Team Leader: Hamza Yerlikaya
 - Coach: Adem Bereket
 - Masseur: Tamer Kisacik
 - Officials: Mustafa Bahadir
 - Referee: Halil Ibrahim Cicioglu
- ▶ *Recent Men's Freestyle World Cup and Men's Freestyle World Championships results:*
 - 2013 World Championships: Team: 10th, 18 points Medals: 2 (2 Bronze)
 - 2012 Olympic Games: Medals: 0
 - 2011 World Championships: Team: 10th, 13 points Medals: 1 (1 Silver)
 - 2010 World Championships: Team: 17th, 9 points Medals: 0
 - 2013 World Cup: (Tehran) 5th
 - 2012 World Cup: (Baku) 7th
 - 2011 World Cup: (Makhachkata) Did not compete
 - 2010 World Cup: (Moscow) 7th

4.10 TEAMS: UKRAINE

Ukraine qualified for the 2014 Men's Freestyle World Cup with a fourth-place finish in the 2013 Men's Freestyle World Championships. This will be its 10th appearance in the Men's Freestyle World Cup, but its first since 2011.

- ▶ *Projected line-up:*
 - 57 kg/125 lbs.: Sergiey Ratushny
 - 61 kg/134 lbs.: Vasyl Fedoryshyn
 - 65 kg/143 lbs.: Ivan Petriv
 - 70 kg/154 lbs.: Andrey Kvyatkovskyy
 - 74 kg/163 lbs.: Giya Chykhladze
 - 86 kg/189 lbs.: Ibragim Aldatov
 - 97 kg/213 lbs.: Pavlo Oliinyk
 - 125 kg/275 lbs.: Alen Zaseev
- ▶ *Ukrainian Wrestling Association:*
 - President: Elbrus Tedeyev
 - Sec'y Gen.: Dina Kharenko
 - Team Leader: Eduard Nosadchyy
 - Coaches: Yurii Nazarenko,
Vadym Tasoiev
 - Referee: Oleksandr Yezhov
- ▶ *Recent Men's Freestyle World Cup and Men's Freestyle World Championships results:*
 - 2013 World Championships: Team: 4th, 27 points Medals: 3 (1 Gold, 1 Silver, 1 Bronze)
 - 2012 Olympic Games: Medals: 1 (1 Silver)

2014 FILA Freestyle World Cup

Press–Radio–Television FACT PACK, page 27

- 2011 World Championships: Team: 12th, 11 points Medals: 1 (1 Silver)
- 2010 World Championships: Team: 8th, 18 points Medals: 1 (1 Silver)

- 2013 World Cup: (Tehran) Did not compete
- 2012 World Cup: (Baku) Did not compete
- 2011 World Cup: (Makhachkala) 6th
- 2010 World Cup: (Moscow) 4th

4.11 TEAMS: UNITED STATES

The United States qualified for the 2014 Men’s Freestyle World Cup via its fifth-place finish in the 2013 Men’s Freestyle World Championships. It’s the 36th World Cup for the U.S., the most of any nation. Moreover, the U.S. has hosted 26 of the previous 41 editions of the event, which debuted in Toledo, Ohio in 1973. The U.S. has won this event 13 times, but not since 2003.

Daniel Cormier, a two-time Olympian in men’s freestyle wrestling and an undefeated star with the Ultimate Fighting Championship, will serve as the Honorary Captain of the 2014 U.S. Freestyle World Cup Team. He was a member of the 2004 and 2008 U.S. Olympic Teams, placing fourth in Athens. He was a 2007 World Championships bronze medalist, placed fifth in the 2003 World Championships and won a silver medal in the 2005 World Cup. He won six straight U.S. Open national titles.

A native of Lafayette, La., Cormier has compiled an impressive Mixed Martial Arts record of 14-0 while competing at heavyweight and light heavyweight. Most recently, Cormier cemented his status as a light heavyweight title contender with a first-round knockout victory over Patrick Cummins in the co-main event of UFC 170. The 34-year-old trains at American Kickboxing Academy in San Jose.

► *Projected line-up:*

<p>57 kg/125 lbs.: Angel Escobedo Columbus, Ohio (New York AC/Ohio RTC) or Andrew Hochstrasser Boise, Idaho (Titan Mercury WC)</p>	<p>74 kg/163 lbs.: Jordan Burroughs Lincoln, Neb. (Sunkist Kids/Nebraska RTC) or Dan Vallimont Long Beach, N.Y. (Blue and Gold WC)</p>
<p>61 kg/134 lbs.: Reece Humphrey Columbus, Ohio (New York AC/Ohio RTC) or Jimmy Kennedy Ann Arbor, Mich. (New York AC/Michigan RTC)</p>	<p>86 kg/189 lbs.: Keith Gavin Columbus, Ohio (Titan Mercury WC/Ohio RTC) or Clayton Foster Laramie, Wyo. (Cowboy WC/GRIT Athletics)</p>
<p>65 kg/143 lbs.: Brent Metcalf Iowa City, Iowa (New York AC/Titan Mercury WC) or Kellen Russell Ann Arbor, Mich. (New York AC/Michigan RTC)</p>	<p>97 kg/213 lbs.: J.D. Bergman Columbus, Ohio (New York AC/Ohio RTC) or Dustin Kilgore, Colorado Springs, Colo. (Sunkist Kids/USOTC)</p>
<p>70 kg/154 lbs.: Nick Marable Columbia, Mo. (Sunkist Kids/MWF) or Moza Fay Colorado Springs, Colo. (Army WCAP/ USOTC)</p>	<p>125 kg/275 lbs.: Tervel Dlagnev Columbus, Ohio (Sunkist Kids/Ohio RTC) or Tyrell Fortune Portland, Ore. (Titan Mercury WC)</p>

2014 FILA Freestyle World Cup

Press–Radio–Television FACT PACK, page 28

- ▶ *USA Wrestling:*
 - President: James Ravannack
 - Exec. Dir.: Rich Bender
 - Team Leader: Andy Barth, San Marino, Calif.
 - National Freestyle Coach: Zeke Jones, Colorado Springs, Colo.
 - Assistant National Freestyle Coaches: Brandon Slay and Bill Zadick, Colorado Springs, Colo.
 - World Cup Coaches: Bruce Burnett, Dover, Idaho and Mark Manning, Lincoln, Neb.
 - Coaches: Andy Hrovat, Ann Arbor, Mich.;
- ▶ *USA Wrestling:*
 - Sam Henson, Columbia, Mo.;
 - Sam Portillo, Tucson, Ariz.;
 - Jason Kutz, Colorado Springs, Colo.
- ▶ *Medical:*
 - Dr. A.J. Monseau, Morgantown, W.Va.;
 - Dr. Fred Roberto, Atlanta, Ga.;
 - Darryl Miller, Denver, Colo.
- ▶ *USOC Sports Dietician:*
 - Jennifer Gibson, Colorado Springs, Colo.
- ▶ *Massage:*
 - Amy Murry
- ▶ *USA Wrestling staff:*
 - Les Gutches, Cody Bickley, Dana Leenheer, Jaimie McNab, Colorado Springs, Colo.
- ▶ *Recent Men's Freestyle World Cup and Men's Freestyle World Championships results:*
 - 2013 World Championships: Team: 5th, 25 points Medals: 1 (1 Gold)
 - 2012 Olympic Games: Medals: 3 (2 Gold, 1 Bronze)
 - 2011 World Championships: Team: 3rd, 38 points Medals: 2 (1 Gold, 1 Bronze)
 - 2010 World Championships: Team: 23rd, 5 points Medals: 0

 - 2013 World Cup: (Tehran) 3rd
 - 2012 World Cup: (Baku) 3rd
 - 2011 World Cup: (Makhachkala) Did not compete
 - 2010 World Cup: (Moscow) 6th

2014 FILA Freestyle World Cup
Press–Radio–Television FACT PACK, page 29

5.
World Cup History

5.01 YEAR-BY-YEAR

The FILA Freestyle World Cup was created in 1973 as a team championship matching the top national teams from major wrestling continents. It expanded to eight teams in 2009 and to 10 teams in 2011, selected from the final team standings from the previous year’s World Championships.

Key to team abbreviations:

AFR	African All-Stars	GER	Germany	RSA	South Africa
AUS	Australia	HUN-KAZ	Hungary-Kazakhstan combination	RUS	Russia (1993-present)
AZE	Azerbaijan	IRI	Iran	TUR	Turkey
BLR	Belarus	JPN	Japan	UKR	Ukraine
BUL	Bulgaria	KAZ	Kazakhstan	URS	USSR (1972-1992)
CAN	Canada	KOR	Korea (South)	USA	United States
CUB	Cuba	MGL	Mongolia	UZB	Uzbekistan
EGY	Egypt	NGR	Nigeria	WLD	World All-Stars
GEO	Georgia				

Year	Location	1st	2nd	3rd	4th	5th	6th	7th	8th	9th	10th
1973	Toledo, USA	URS	USA	JPN	CAN	---	---	---	---	---	---
1974	Las Palmas, ESP	URS	IRI	BUL	USA	---	---	---	---	---	---
1975	Toledo, USA	URS	MGL	USA	CAN	---	---	---	---	---	---
1976	Toledo, USA	URS	IRI	USA	CAN	---	---	---	---	---	---
1977	Toledo, USA	URS	USA	JPN	CAN	---	---	---	---	---	---
1978	Toledo, USA	URS	USA	JPN	CUB	---	---	---	---	---	---
1979	Toledo, USA	URS	USA	JPN	CAN	AFR	—	—	—	—	—
1980	Toledo, USA	USA	URS	CAN	JPN	AFR	—	—	—	—	—
1981	Toledo, USA	URS	USA	MGL	AFR	---	---	---	---	---	---
1982	Toledo, USA	USA	URS	CAN	KOR	AFR	—	—	—	—	—
1983	Toledo, USA	URS	USA	CAN	JPN	AFR	—	—	—	—	—
1984	Toledo, USA	URS	USA	BUL	CUB	CAN	AFR	—	—	—	—
1985	Toledo, USA	URS	USA	JPN	CUB	CAN	AFR	—	—	—	—
1986	Toledo, USA	URS	USA	CUB	MGL	EGY	AUS	—	—	—	—
1987	Ulan Bator, MGL	URS	MGL	USA	CUB	JPN	AUS	—	—	—	—
1988	Toledo, USA	URS	USA	CUB	KOR	AUS	—	—	—	—	—
1989	Toledo, USA	URS	USA	CUB	CAN	KOR	—	—	—	—	—
1990	Toledo, USA	USA	URS	CUB	TUR	CAN	NGR	—	—	—	—

2014 FILA Freestyle World Cup
Press–Radio–Television FACT PACK, page 30

Year	Location	1st	2nd	3rd	4th	5th	6th	7th	8th	9th	10th
1991	Toledo, USA	USA	URS	KOR	CUB	CAN	—	—	—	—	—
1992	Moscow, RUS	CUB	IRI	USA	TUR	---	---	---	---	---	---
1993	Chattanooga, USA	USA	RUS	CAN	CUB	JPN	—	—	—	—	—
1994	Edmonton, CAN	USA	IRI	RUS	TUR	CAN	—	—	—	—	—
1995	Chattanooga, USA	USA	RUS	TUR	IRI	CAN	—	—	—	—	—
1996	Tehran, IRI	IRI	CUB	UZB	RUS	—	—	—	—	—	—
1997	Stillwater, USA	USA	RUS	CUB	GER	CAN	—	—	—	—	—
1998	Stillwater, USA	RUS	USA	IRI	CUB	GER	JPN	—	—	—	—
1999	Spokane, USA	USA	IRI	CUB	GER	CAN	—	—	—	—	—
2000	Fairfax, USA	USA	IRI	RUS	CUB	UKR	—	—	—	—	—
2001	Baltimore, USA	USA	IRI	RUS	TUR	UZB	—	—	—	—	—
2002	Spokane, USA	USA	RUS	KOR	MGL	CAN	GER	—	—	—	—
2003	Boise, USA	USA	WLD	UKR	RUS	GER	—	—	—	—	—
2004	Baku, AZE	AZE	RUS	CUB	CAN	IRI	RSA	—	—	—	—
2005	Tashkent, UZB	CUB	UKR	RUS	USA	UZB	IRI	—	—	—	—
2006	Sari, IRI	IRI	CUB	UKR	RUS	GEO	TUR	—	—	—	—
2007	Krasnoyarsk, RUS	RUS	IRI	UZB	GEO	USA	UKR	—	—	—	—
2008	Vladikavkaz, RUS	RUS	CUB	UZB	UKR	USA	TUR	—	—	—	—
2009	Tehran, IRI	AZE	IRI	RUS	KAZ	UKR	GEO	CUB	UZB	—	—
2010	Moscow, RUS	RUS	IRI	AZE	UKR	BLR	USA	TUR	UZB	—	—
2011	Makhachkala, RUS	RUS	IRI	AZE	UZB	CUB	UKR	HUN-KAZ	KGZ	GEO	BUL
2012	Baku, AZE	IRI	AZE	USA	RUS	KAZ	GEO	TUR	BLR	JPN	BUL
2013	Tehran, IRI	IRI	RUS	USA	BLR	TUR	GEO	JPN	KAZ	AZE	BUL

- ▶ *Championships won:* USSR 15, United States 13, Russia 6, Iran 4, Azerbaijan 2, Cuba 1.
- ▶ *Host nations:* United States 26 (Toledo 17), Russia 5, Iran 4, Azerbaijan 2, Canada 1, Mongolia 1, Spain 1, Uzbekistan 1.

5.02 OTHER FILA WORLD CUPS

FILA also holds World Cup competitions in Men's Greco-Roman and Women's Freestyle divisions:

- ▶ *Men's Greco-Roman World Cup:*
 - Annual event, first held in 1980;
 - 2014 edition to be held in Tehran, IRI on May 15-16;

2014 FILA Freestyle World Cup Press–Radio–Television FACT PACK, page 31

- U.S. has hosted this event three times: at Oak Lawn, IL (1986), Albany, NY (1987), and Colorado Springs (1996).
- ▶ *Women’s Freestyle World Cup:*
 - Annual event, first held in 2001;
 - 2014 edition to be held in Tokyo, JPN on March 15-16;
 - U.S. has not hosted this event.

5.03 FILA WORLD CHAMPIONSHIPS

The 2014 FILA World Championships in men’s and women’s Freestyle and men’s Greco-Roman wrestling will be held in Tashkent, UZB on September 8-14. The United States will host the World Championships in 2015 at Las Vegas, NV from September 7-15 for the first time in the combined era (which started in 2004).

The U.S. has previously hosted the FILA World Championships nine times:

- Men’s Freestyle World Championships (first held in 1951) five times: 1962 and 1966 in Toledo, OH, 1979 in San Diego, CA, 1996 in Atlanta, GA and 2003 in New York, NY.
- Men’s Greco-Roman World Championships (first held in 1904) three times: 1962 and 1966 in Toledo and 1979 in San Diego .
- Women’s Freestyle World Championships (first held in 1987) once: 2003 in New York.

2014 FILA Freestyle World Cup
Press–Radio–Television FACT PACK, page 32

6.
FILA 2014 Major Events Schedule

<i>Dates</i>	<i>Styles</i>		<i>Competition</i>			<i>City & Country</i>
<i>(M-Fr = Men's Freestyle • G-R = Greco-Roman • W-Fr = Women's Freestyle • Bch = Beach)</i>						
<u>Seniors</u>						
Mar	15-16	M-Fr				World Cup Los Angeles, USA
Mar	19-22	M-Fr	G-R	W-Fr	Bch	Oceania Championships Pago, Pago ASA
Mar	28-30	M-Fr	G-R	W-Fr		African Championships Tunis, TUN
Apr	01-06	M-Fr	G-R	W-Fr		European Championships Vantaa, FIN
Apr	02-07	M-Fr	G-R	W-Fr		Central American & Caribbean Champ. San Juan, PUR
Apr	23-27	M-Fr	G-R	W-Fr		Asian Championships Astana, KAZ
Jun	10-15	M-Fr	G-R	W-Fr		Mediterranean Championships Kanjiza, SRB
Jul	15-17	M-Fr	G-R	W-Fr		Pan American Championships Mexico City, MEX
Jul	21-24	M-Fr	G-R	W-Fr	Bch	Micronesian Games Pohnpei State, FSM
Jul	29-31	M-Fr		W-Fr		Commonwealth Games Glasgow, SCO
Sep	08-14	M-Fr	G-R	W-Fr		World Championships Tashkent, UZB
Sep	24-28	M-Fr	G-R	W-Fr		South American Championships Callao, PER
Sep	29-01	M-Fr	G-R	W-Fr		Asian Games Inchon, KOR
Nov	25-29	M-Fr	G-R	W-Fr		Central American & Caribbean Games Veracruz, MEX
<u>Juniors</u>						
May	22-23	M-Fr	G-R	W-Fr		African Championships Alexandria, EGY
Jun	05-08	M-Fr	G-R	W-Fr		Asian Championships Ulan Bator, MGL
Jun	10-15	M-Fr	G-R	W-Fr		Mediterranean Championships Kanjiza, SRB
Jun	17-22	M-Fr	G-R	W-Fr		European Championships Katowice, POL
Jun	27-29	M-Fr	G-R	W-Fr		Pan American Championships Toronto, CAN=
Aug	05-10	M-Fr	G-R	W-Fr		World Championships Zagreb, CRO
<u>Cadets</u>						
May	02-04	M-Fr	G-R	W-Fr		Pan American Championships Recife, BRA
May	06-11	M-Fr	G-R	W-Fr		European Championships Samokov, BUL
May	08-11	M-Fr	G-R	W-Fr		Asian Championships Bagkok, THA
May	19-20	M-Fr	G-R	W-Fr		African Championships Alexandria, EGY
Jun	10-15	M-Fr	G-R	W-Fr		Mediterranean Championships Kanjiza, SRB
Jul	15-20	M-Fr	G-R	W-Fr		World Championships Snina, SVK
Aug	25-27	M-Fr	G-R	W-Fr		Youth Olympic Games Nanjing, CHN